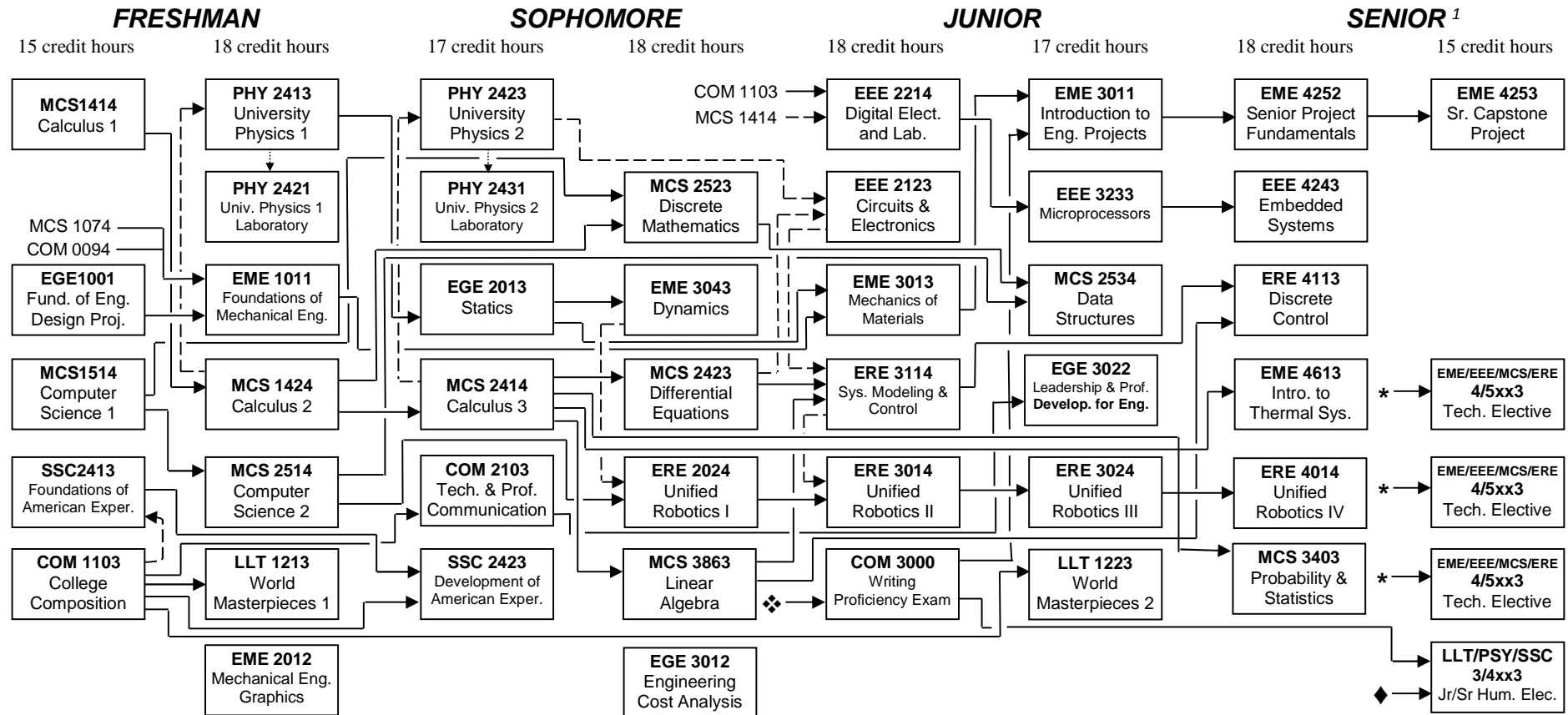


## Bachelor of Science in Robotics Engineering (BSRE) Flowchart (Fall 2017, 136 credit hours)



Classification	Credit Hrs	
Freshman	0-29	
Sophomore	30-59	
Junior	60-89	G. Kfoury
Senior	90+	4-24-2017

<sup>1</sup> All graduating seniors must submit a Petition to Graduate form which is available at the One Stop Center. Form must be submitted at least one semester prior to the semester in which the student plans to graduate. Check deadlines for petitioning to graduate at the Registrar Office webpage.

\* A list of approved technical elective courses is available at the Mechanical Engineering Dept. (room E29).

❖ Take exam when 60-80 credit hours have been completed.

◆ Check Bannerweb to ensure that all course prerequisites, in addition to COM 3000, are satisfied.